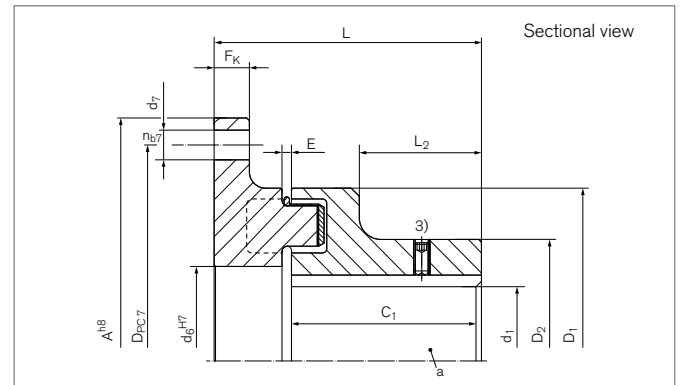


Elastomer Jaw Couplings

RINGFEDER® TNM LE

One part design with flange, externally centred



Identifier	Size	A ⁴⁾	T _{KNPb72} ²⁾	T _{KNPb82} ²⁾	n _{max}	d _{1kmax}	D ₁	D ₂	C ₁
		mm	Nm	Nm	1/min	mm	mm	mm	mm
WN0806-106	67	106	22	35	5000	28	67	46	30
WN0808-120	82	120	48	75	5000	32	82	53	40
WN0809-144	97	144	96	150	5000	45	97	69	50
WN0811-158	112	158	150	230	5000	48	112	79	60
WN0812-180	128	180	250	380	5000	55	128	90	70
WN0814-200	148	200	390	600	4500	65	148	107	80
WN0816-220	168	220	630	980	4000	75	168	124	90
WN0819-248	194	248	1050	1650	3500	85	194	140	100
WN0821-274	214	274	1500	2400	3000	95	214	157	110
WN0824-314	240	314	2400	3700	2750	110	240	179	120
WN0826-344	265	344	3700	5800	2500	120	265	198	140
WN0829-380	295	380	4900	7550	2250	130	295	214	150
WN0833-430	330	430	6400	9900	2000	150	330	248	160
WN0837-480	370	480	8900	14000	1750	170	370	278	180
WN0841-575	415	575	13200	20500	1500	190	415	315	200
WN0848-615	480	615	18000	28000	1400	210	480	315	220
WN0857-692	575	692	27000	41000	1200	230	575	350	240

To continue see next page

Elastomer Jaw Couplings RINGFEDER® TNM LE

Identifier	Size	F _K	d ₆	D _{PC7}	n _{b7}	d ₇	L	L ₂	E	F _E	G _{wFL} ¹⁾	G _{wub}
		mm	mm	mm		mm	mm	mm	mm	mm	kg	kg
WN0806-106	67	8	30	94	6	6,6	47,5	15	2,5	+/- 0,5	0,5	1,0
WN0808-120	82	8	40	108	6	6,6	59	24	3	+/- 1,0	0,7	2,6
WN0809-144	97	10	50	128	6	9	73	30	3	+/- 1,0	1,2	2,9
WN0811-158	112	10	60	142	6	9	85,5	38	3,5	+/- 1,0	1,6	4,2
WN0812-180	128	13	70	160	6	11	98,5	45	3,5	+/- 1,0	2,5	6,6
WN0814-200	148	13	90	180	7	11	111,5	52	3,5	+/- 1,0	3,1	9,4
WN0816-220	168	13	100	200	8	11	127,5	56	3,5	+/- 1,5	4,3	13,9
WN0819-248	194	16	115	224	8	14	141,5	62	3,5	+/- 1,5	6,3	20,3
WN0821-274	214	16	130	250	8	14	156	68	4	+/- 2,0	8,2	27,9
WN0824-314	240	20	145	282	8	18	169	75	4	+/- 2,0	11,8	38,5
WN0826-344	265	20	160	312	8	18	195,5	90	5,5	+/- 2,5	15,6	53,1
WN0829-380	295	22	170	348	9	18	210	98	8	+/- 2,5	20,7	68,6
WN0833-430	330	25	200	390	9	22	224	104	8	+/- 2,5	28,1	94,6
WN0837-480	370	25	235	440	10	22	250	118	8	+/- 2,5	36,2	130,1
WN0841-575	415	30	270	528	10	26	273	135	8	+/- 2,5	55,4	185,1
WN0848-615	480	30	320	568	10	26	293	150	8	+/- 2,5	62,4	226,8
WN0857-692	575	30	400	645	10	26	313	170	8	+/- 2,5	74,7	308,2

1) Weight inclusive the half share of the intermediate ring
 2) Attention on peak load – see chapter „RINGFEDER® TNM Basic information“ in Product Paper & Tech Paper „RINGFEDER® Elastomer Jaw Couplings“
 3) Set screw on demand
 4) Other flange dimensions on request

RINGFEDER® TNM with SAE flange on request

Explanation

A = Max. outer diameter	D₁ = Outer diameter	L = Total length
T_{KNPb72} = Coupling nominal torque by using the elastic element Pb72	D₂ = Outer diameter hub	L₂ = Length on the hub
T_{KNPb82} = Coupling nominal torque by using the elastic element Pb82	C₁ = Guided length in hub bore	E = Gap width between left and right component
n_{max} = Max. rotation speed	F_K = Flange thickness	F_E = Tolerance of the gap width E
d_{1kmax} = Max. bore diameter d ₁ with keyway acc. to DIN 6885-1	d₆ = Inner diameter	G_{wFL} = Weight flange side
	D_{PC7} = Pitch circle diameter of bore holes d ₇	G_{wub} = Weight, unbored
	n_{b7} = Quantity of bore d ₇	
	d₇ = Bore diameter	

Ordering example

Identifier	Size	d _{1k}	Buffer identifier (optional) ⁵⁾	Further details
WN0819-248	148	80	Pb82	*

Further information on RINGFEDER® TNM LE on www.ringfeder.com

⁵⁾ Details on elastomer materials see chapter „Introduction“ and „RINGFEDER® TNM Basic information“ in Product Paper & Tech Paper „RINGFEDER® Elastomer Jaw Couplings“

^{*)} Without any other specification, we deliver as a standard: with set screws and keyway acc. to DIN 6885-1, keyway side fit P9, bore tolerance H7

Disclaimer of liability

All technical details and notes are non-binding and cannot be used as a basis for legal claims. The user is obligated to determine whether the represented products meet his requirements. We reserve the right carry out modifications at any time in the interests of technical progress.