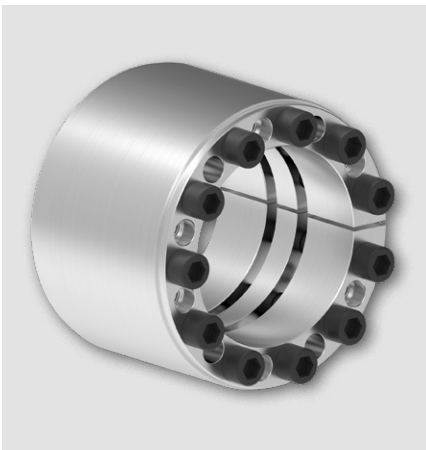


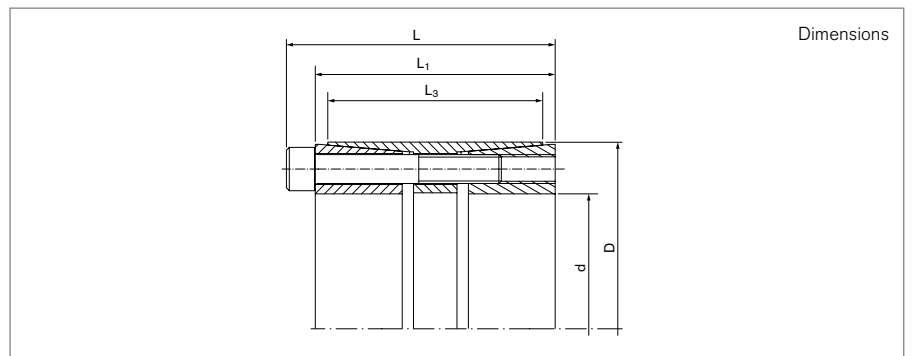
Locking Assemblies

RINGFEDER® RfN 7005

Three piece self-centering design for heavy duty torques



self-centering	without axial displacement	with low surface pressure
----------------	----------------------------	---------------------------



Locking Assembly dimensions							Transmissible torques or axial forces		Surface pressure		Locking screws			
d	d	x	D	L	L ₁	L ₃	T	F _{ax}	Shaft Pw	Hub PN	n _{Sc}	D _G	T _A	Gw
inch	inch			inch			ft-lbs	lbs	psi				ft-lbs	lbs
1	1	x	1.969	2.402	2.165	1.772	485	14400	22300	11500	5	M6	13	1.1
1.125	1 1/8	x	2.165	2.402	2.165	1.772	670	14400	24000	12500	6	M6	13	1.3
1.188	1 3/16	x	2.165	2.402	2.165	1.772	705	14400	22800	12500	6	M6	13	1.3
1.250	1 1/4	x	2.362	2.402	2.165	1.772	870	14400	25900	10600	7	M6	13	1.5
1.375	1 3/8	x	2.362	2.402	2.165	1.772	955	16600	23600	10600	7	M6	13	1.5
1.438	1 7/16	x	2.559	2.402	2.165	1.772	1130	16600	22800	13900	8	M6	13	1.8
1.500	1 1/2	x	2.559	2.402	2.165	1.772	1180	16600	22500	13900	8	M6	13	1.8
1.625	1 5/8	x	2.953	2.480	2.165	1.772	2020	30300	37000	15800	7	M8	30	2.2
1.750	1 3/4	x	2.953	2.480	2.165	1.772	2180	30300	34400	15800	7	M8	30	2.2
1.875	1 7/8	x	3.150	2.913	2.598	2.205	2700	34800	28400	13300	8	M8	30	3.1
1.938	1 15/16	x	3.150	2.913	2.598	2.205	2860	34800	27400	13300	8	M8	30	3.1
2.000	2	x	3.150	2.913	2.598	2.205	2960	34800	26600	13300	8	M8	30	3.1
2.125	2 1/8	x	3.346	2.913	2.598	2.205	3540	39100	28200	14100	9	M8	30	3.5
2.188	2 3/16	x	3.346	2.913	2.598	2.205	3650	39100	26400	14100	9	M8	30	3.5
2.250	2 1/4	x	3.543	2.913	2.598	2.205	4140	39100	29500	14800	10	M8	30	3.5
2.375	2 3/8	x	3.543	2.913	2.598	2.205	4370	43400	28000	14800	10	M8	30	3.7
2.438	2 7/16	x	3.740	2.913	2.598	2.205	4530	43400	27200	13900	10	M8	30	4.2
2.500	2 1/2	x	3.740	2.913	2.598	2.205	4640	43400	26600	13900	10	M8	30	4.2
2.563	2 9/16	x	3.740	2.913	2.598	2.205	4760	43400	25900	13900	10	M8	30	4.2
2.625	2 5/8	x	4.331	3.543	3.150	2.756	7690	70400	32300	15700	10	M10	61	6.8
2.688	2 11/16	x	4.331	3.543	3.150	2.756	7870	70400	31500	15700	10	M10	61	6.8
2.750	2 3/4	x	4.331	3.543	3.150	2.756	8050	70400	30800	15700	10	M10	61	6.8
2.875	2 7/8	x	4.528	3.543	3.150	2.756	8400	70400	29300	14900	10	M10	61	7.7

To continue see next page

Locking Assemblies RINGFEDER® RfN 7005

Locking Assembly dimensions							Transmissible torques or axial forces		Surface pressure		Locking screws			
d	d	x	D	L	L ₁	L ₃	T	F _{ax}	Shaft PW	Hub PN	n _{Sc}	D _G	T _A	G _w
inch	inch			inch			ft-lbs	lbs	psi				ft-lbs	lbs
2.938	2 15/16	x	4.528	3.543	3.150	2.756	8580	70400	28700	14900	10	M10	61	7.7
3.000	3	x	4.724	3.543	3.150	2.756	9650	70400	31100	15800	11	M10	61	7.7
3.125	3 1/8	x	4.724	3.543	3.150	2.756	10100	77300	29800	15800	11	M10	61	7.7
3.250	3 1/4	x	4.724	3.543	3.150	2.756	10500	77300	28700	15800	11	M10	61	7.7
3.375	3 3/8	x	4.921	3.543	3.150	2.756	11900	84300	30000	16500	12	M10	61	8.4
3.438	3 7/16	x	5.118	3.543	3.150	2.756	12100	84300	29400	15800	12	M10	61	8.4
3.500	3 1/2	x	5.118	3.543	3.150	2.756	12300	84300	28900	15800	12	M10	61	8.4
3.625	3 5/8	x	5.315	3.543	3.150	2.756	12700	84300	28000	15200	12	M10	61	9.4
3.750	3 3/4	x	5.709	4.488	4.016	3.543	18100	84300	29700	15200	11	M12	107	13.5
3.875	3 7/8	x	5.709	4.488	4.016	3.543	18700	84300	28700	15200	11	M12	107	13.5
3.938	3 15/16	x	5.709	4.488	4.016	3.543	19000	116000	28300	15200	11	M12	107	13.5
4.000	4	x	5.709	4.488	4.016	3.543	19300	116000	27800	15200	11	M12	107	13.5
4.375	4 3/8	x	6.102	4.488	4.016	3.543	23000	126000	27700	15500	12	M12	107	14.6
4.500	4 1/2	x	6.496	4.488	4.016	3.543	27600	126000	31500	17000	14	M12	107	15.9
4.750	4 3/4	x	6.496	4.488	4.016	3.543	29100	147000	29800	17000	14	M12	107	15.9
4.938	4 15/16	x	7.087	5.118	4.567	4.094	35800	147000	28300	15900	12	M14	170	22.1
5.000	5	x	7.087	5.118	4.567	4.094	36200	174000	27900	15900	12	M14	170	22.1
5.438	5 7/16	x	7.480	5.118	4.567	4.094	46000	203000	30000	17500	14	M14	170	23.4
5.500	5 1/2	x	7.480	5.118	4.567	4.094	46500	203000	29600	17500	14	M14	170	23.4
5.938	5 15/16	x	7.874	5.118	4.567	4.094	53800	217000	29400	17800	15	M14	170	24.9
6.000	6	x	8.268	5.118	4.567	4.094	58600	217000	30700	18100	16	M14	170	26.2
6.438	6 7/16	x	8.858	6.378	5.748	5.276	73600	217000	26100	15500	14	M16	266	39.7
6.500	6 1/2	x	8.858	6.378	5.748	5.276	74300	274000	25800	15500	14	M16	266	39.7
6.938	6 15/16	x	9.252	6.378	5.748	5.276	85000	294000	25900	15900	15	M16	266	41.5
7.000	7	x	9.252	6.378	5.748	5.276	85800	294000	25700	15900	15	M16	266	41.5
7.438	7 7/16	x	9.843	6.378	5.748	5.276	97200	294000	25800	15900	16	M16	266	48.3
7.500	7 1/2	x	9.843	6.378	5.748	5.276	98000	314000	25600	15900	16	M16	266	48.3
7.938	7 15/16	x	10.236	6.378	5.748	5.276	104000	315000	24200	15400	16	M16	266	50.7
8.000	8	x	10.433	6.378	5.748	5.276	105000	315000	24000	15100	16	M16	266	51.0
9.000	9	x	12.008	6.535	5.748	5.276	153000	315000	28000	17300	20	M16	266	74.0

More sizes on request
To continue see next page

Locking Assemblies RINGFEDER® RfN 7005

Explanation

d = Inner diameter (decimal notation)	L₃ = Width of ring	n_{sc} = Quantity of screws
d = Inner diameter	T = Transmissible torque at given T_A	D_G = Thread
D = Outer diameter	F_{ax} = Transmissible axial force	T_A = Tightening torque of the clamping screws
L = Overall length	p_w = Surface pressure on shaft at given T_A	G_w = Weight
L₁ = Overall length (without screws)	p_N = Surface pressure on hub at given T_A	

Ordering example

Locking assembly	d	D
RfN 7005	1.375	2.362

Technical Information

- Surface finishes: Shaft and hub bores $R_a \leq 1,6 \mu\text{m}$
- Tolerances: Shaft: h8 · Hub: H8

Further information on
RINGFEDER® RfN 7005
 on www.ringfeder.com

Disclaimer of liability

All technical details and notes are non-binding and cannot be used as a basis for legal claims. The user is obligated to determine whether the represented products meet his requirements. We reserve the right carry out modifications at any time in the interests of technical progress.