

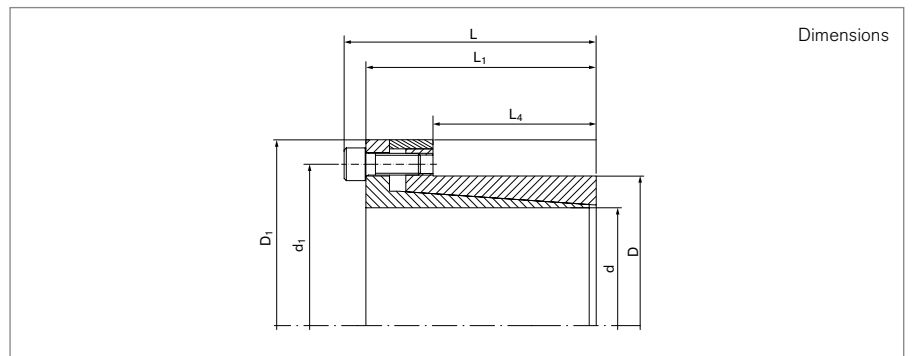
# Locking Assemblies

## RINGFEDER® RfN 7110 stainless steel

Specially small dimensioned self-centering Locking Assembly without axial displacement



self-centering | without axial displacement | with low surface pressure



Locking Assembly dimensions							Transmissible torques or axial forces		Surface pressure		Locking screws			
d	x	D	D <sub>B1</sub>	L	L <sub>1</sub>	L <sub>4</sub>	T	F <sub>ax</sub>	Shaft PW	Hub PN	n <sub>Sc</sub>	D <sub>G</sub>	T <sub>A</sub>	Gw
mm			mm				Nm	kN	N/mm <sup>2</sup>				Nm	kg
8	x	15	27	28	24	12	16	3,8	126	66	4	M4	2,9	0,06
9	x	16	28	31	27	14	18	3,8	93	55	4	M4	2,9	0,07
10	x	16	28	31	27	14	20	3,8	88	55	4	M4	2,9	0,06
11	x	18	32	31	27	14	28	5,5	99	60	4	M4	2,9	0,07
12	x	18	32	31	27	14	30	5,5	85	60	4	M4	2,9	0,07
13	x	23	38	31	27	14	33	5,5	82	46	4	M4	2,9	0,12
14	x	23	38	31	27	14	35	5,5	77	46	4	M4	2,9	0,12
15	x	24	44	42	36	16	85	13	99	63	3	M6	14	0,21
16	x	24	44	42	36	16	93	13	93	63	3	M6	14	0,2
17	x	26	45	44	38	18	127	17	104	74	4	M6	14	0,22
18	x	26	47	44	38	18	139	17	99	74	4	M6	14	0,24
19	x	27	48	44	38	18	147	17	93	68	4	M6	14	0,25
20	x	28	49	44	38	18	155	17	82	63	4	M6	14	0,25
22	x	32	53	51	45	25	178	16	63	44	4	M6	14	0,34
24	x	34	55	51	45	25	197	16	57	41	4	M6	14	0,36
25	x	34	55	51	45	25	197	16	55	41	4	M6	14	0,35
28	x	39	60	51	45	25	286	24	60	44	5	M6	14	0,43
30	x	41	62	51	45	25	368	24	68	49	6	M6	14	0,43
32	x	43	64	56	50	30	391	24	52	41	6	M6	14	0,46
35	x	47	68	56	50	30	573	32	66	49	8	M6	14	0,52
38	x	50	71	56	50	30	620	32	60	46	8	M6	14	0,61
40	x	53	74	58	52	32	736	41	60	46	9	M6	14	0,67
42	x	55	77	58	52	32	771	60	57	44	9	M6	14	0,74
45	x	59	85	72	64	40	1356	60	71	55	8	M8	34	1,12

To continue see next page

## Locking Assemblies RINGFEDER® RfN 7110 stainless steel

Locking Assembly dimensions							Transmissible torques or axial forces		Surface pressure		Locking screws			
d	x	D	D <sub>B1</sub>	L	L <sub>1</sub>	L <sub>4</sub>	T	F <sub>ax</sub>	Shaft p <sub>W</sub>	Hub p <sub>N</sub>	n <sub>Sc</sub>	D <sub>G</sub>	T <sub>A</sub>	G <sub>w</sub>
mm			mm				Nm	kN	N/mm <sup>2</sup>				Nm	kg
48	x	62	87	72	64	40	1449	60	66	52	8	M8	34	1,14
50	x	65	91	82	74	50	1883	75	63	49	10	M8	34	1,3

More sizes on request

### Explanation

<b>d</b> = Inner diameter	<b>T</b> = Transmissible torque at given T <sub>A</sub>	<b>T<sub>A</sub></b> = Tightening torque of the clamping screws
<b>D</b> = Outer diameter	<b>F<sub>ax</sub></b> = Transmissible axial force	<b>G<sub>w</sub></b> = Weight
<b>D<sub>B1</sub></b> = Collar outer diameter	<b>p<sub>W</sub></b> = Surface pressure on shaft at given T <sub>A</sub>	
<b>L</b> = Overall length	<b>p<sub>N</sub></b> = Surface pressure on hub at given T <sub>A</sub>	
<b>L<sub>1</sub></b> = Overall length (without screws)	<b>n<sub>Sc</sub></b> = Quantity of screws	
<b>L<sub>4</sub></b> = installation length up to collar	<b>D<sub>G</sub></b> = Thread	

### Ordering example

Locking Assembly	d	D	Further details
RfN 7110 stainless steel	25	34	SST (=stainless steel)

#### Technical Information

- Surface finishes: Shaft bores R<sub>a</sub> ≤ 3,2 μm · Hub bores R<sub>a</sub> ≤ 1,6 μm
- Tolerances: Shaft: h8 · Hub: H8

Further information on  
**RINGFEDER® RfN 7110 stainless steel**  
 on [www.ringfeder.com](http://www.ringfeder.com)

#### Disclaimer of liability

All technical details and notes are non-binding and cannot be used as a basis for legal claims. The user is obligated to determine whether the represented products meet his requirements. We reserve the right carry out modifications at any time in the interests of technical progress.