

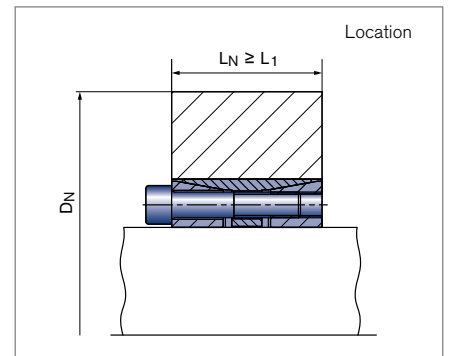
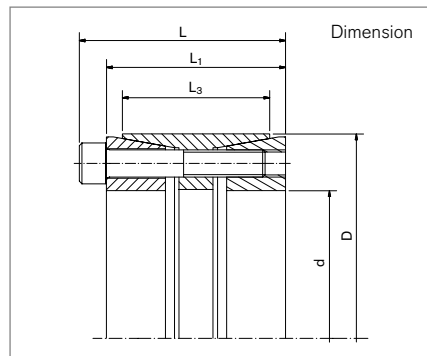
Locking Assemblies

RINGFEDER® RfN 7515

Three piece Locking Assembly



self-centering without axial displacement with low surface pressure



| Locking Assembly dimensions | | | | Transmissible torques or axial forces | | Surface pressure | | Locking screws | | | DN min at Rp0,2 | | | | | |
|-----------------------------|---|-----|-----|---------------------------------------|----------------|------------------|-----------------|-------------------|-----------|-----------------|-----------------|----------------|----------------------|-----|-----|-----|
| d | x | D | L | L ₁ | L ₃ | T | F _{ax} | Shaft PW | Hub PN | n _{Sc} | D _G | T _A | G _w | 200 | 300 | 400 |
| mm | | | mm | | | Nm | kN | N/mm ² | | | Nm | kg | [N/mm ²] | | | |
| | | | | | | | | | | | | | | | | |
| 60 | x | 95 | 58 | 50 | 42 | 4299 | 143 | 186 | 118 | 9 | M8 x 40 | 41 | 1,5 | 138 | 122 | 115 |
| 70 | x | 110 | 70 | 60 | 50 | 7280 | 208 | 197 | 125 | 8 | M10 x 50 | 83 | 2,7 | 164 | 143 | 134 |
| 80 | x | 120 | 70 | 60 | 50 | 10399 | 260 | 216 | 144 | 10 | M10 x 50 | 83 | 2,7 | 191 | 162 | 150 |
| 90 | x | 130 | 70 | 60 | 50 | 12869 | 286 | 211 | 146 | 11 | M10 x 50 | 83 | 2,9 | 209 | 177 | 163 |
| 100 | x | 145 | 82 | 70 | 60 | 18881 | 378 | 209 | 144 | 10 | M12 x 60 | 145 | 4,3 | 231 | 196 | 182 |
| 110 | x | 155 | 82 | 70 | 60 | 20769 | 378 | 190 | 135 | 10 | M12 x 60 | 145 | 4,7 | 239 | 205 | 191 |
| 120 | x | 165 | 82 | 70 | 60 | 24923 | 415 | 191 | 139 | 11 | M12 x 60 | 145 | 5,0 | 258 | 221 | 205 |
| 130 | x | 180 | 91 | 79 | 65 | 34364 | 529 | 207 | 150 | 14 | M12 x 70 | 145 | 6,6 | 293 | 246 | 227 |
| 140 | x | 190 | 91 | 79 | 65 | 39651 | 566 | 206 | 152 | 15 | M12 x 70 | 145 | 7,0 | 312 | 261 | 241 |
| 150 | x | 200 | 91 | 79 | 65 | 42483 | 566 | 193 | 144 | 15 | M12 x 70 | 145 | 7,1 | 319 | 270 | 250 |
| 160 | x | 210 | 91 | 79 | 65 | 48336 | 604 | 193 | 147 | 16 | M12 x 70 | 145 | 7,9 | 338 | 285 | 264 |
| 170 | x | 225 | 106 | 92 | 78 | 65790 | 774 | 195 | 147 | 15 | M14 x 80 | 230 | 11,1 | 362 | 306 | 283 |
| 180 | x | 235 | 106 | 92 | 78 | 69660 | 774 | 184 | 141 | 15 | M14 x 80 | 230 | 11,6 | 370 | 315 | 292 |
| 190 | x | 250 | 116 | 102 | 88 | 78432 | 826 | 165 | 125 | 16 | M14 x 80 | 230 | 14,8 | 372 | 324 | 303 |
| 200 | x | 260 | 116 | 102 | 88 | 92880 | 929 | 176 | 135 | 18 | M14 x 80 | 230 | 15,4 | 401 | 344 | 320 |
| 220 | x | 285 | 126 | 110 | 96 | 116459 | 1059 | 173 | 133 | 15 | M16 x 90 | 355 | 19,7 | 436 | 375 | 350 |
| 240 | x | 305 | 124 | 108 | 96 | 169394 | 1412 | 211 | 166 | 20 | M16 x 90 | 355 | 21,2 | 528 | 432 | 394 |
| 260 | x | 325 | 127 | 111 | 96 | 183510 | 1412 | 176 | 141 | 20 | M16 x 90 | 355 | 22,9 | 510 | 435 | 404 |
| 280 | x | 355 | 131 | 111 | 96 | 230199 | 1644 | 205 | 162 | 15 | M20 x 90 | 690 | 28,9 | 604 | 497 | 456 |
| 300 | x | 375 | 131 | 111 | 96 | 263085 | 1754 | 204 | 163 | 16 | M20 x 90 | 690 | 30,6 | 642 | 527 | 482 |
| 320 | x | 405 | 156 | 136 | 124 | 350780 | 2192 | 189 | 150 | 20 | M20 x 110 | 690 | 46,3 | 658 | 552 | 510 |
| 340 | x | 425 | 156 | 136 | 124 | 372704 | 2192 | 178 | 143 | 20 | M20 x 110 | 690 | 48,9 | 672 | 571 | 529 |
| 360 | x | 455 | 177 | 155 | 140 | 487557 | 2709 | 174 | 137 | 20 | M22 x 130 | 930 | 67,5 | 706 | 604 | 562 |
| 380 | x | 475 | 177 | 155 | 140 | 514644 | 2709 | 164 | 132 | 20 | M22 x 130 | 930 | 69,5 | 722 | 623 | 581 |
| 400 | x | 495 | 177 | 155 | 140 | 595903 | 2980 | 172 | 139 | 22 | M22 x 130 | 930 | 72,7 | 772 | 659 | 612 |
| 420 | x | 515 | 177 | 155 | 140 | 682580 | 3250 | 179 | 146 | 24 | M22 x 130 | 930 | 75,9 | 824 | 696 | 644 |

To continue see next page

Locking Assemblies RINGFEDER® RfN 7515

| Locking Assembly dimensions | | | | | | Transmissible torques or axial forces | | Surface pressure | | Locking screws | | | D _{N min} at Rp _{0,2} | | | | | |
|-----------------------------|---|-----|-----|----------------|----------------|---------------------------------------|-----------------|-------------------------|-----------------------|-----------------|----------------|----------------|---|----------------------|-----|-----|--|--|
| d | x | D | L | L ₁ | L ₃ | T | F _{ax} | Shaft p _W | Hub p _N | n _{Sc} | D _G | T _A | G _w | 200 | 300 | 400 | | |
| mm | | | mm | | | Nm | kN | N/mm ² | | | | Nm | kg | [N/mm ²] | | | | |
| | | | | | | | | | | | | | | | | mm | | |
| 440 | x | 535 | 177 | 155 | 140 | 715084 | 3250 | 170 | 140 | 24 | M22 x 130 | 930 | 79,2 | 839 | 715 | 663 | | |
| 460 | x | 555 | 177 | 155 | 140 | 747588 | 3250 | 163 | 135 | 24 | M22 x 130 | 930 | 83,0 | 854 | 733 | 683 | | |
| 480 | x | 575 | 177 | 155 | 140 | 812595 | 3386 | 163 | 136 | 25 | M22 x 130 | 930 | 86,0 | 887 | 761 | 708 | | |
| 500 | x | 595 | 177 | 155 | 140 | 846453 | 3386 | 156 | 131 | 25 | M22 x 130 | 930 | 90,0 | 903 | 779 | 727 | | |
| 520 | x | 615 | 177 | 155 | 140 | 985949 | 3792 | 168 | 142 | 28 | M22 x 130 | 930 | 93,0 | 971 | 825 | 765 | | |
| 540 | x | 635 | 177 | 155 | 140 | 1023870 | 3792 | 162 | 138 | 28 | M22 x 130 | 930 | 96,0 | 986 | 844 | 784 | | |
| 560 | x | 655 | 177 | 155 | 140 | 1137633 | 4063 | 167 | 143 | 30 | M22 x 130 | 930 | 98,7 | 1037 | 880 | 816 | | |
| 580 | x | 675 | 177 | 155 | 140 | 1178263 | 4063 | 162 | 139 | 30 | M22 x 130 | 930 | 102,0 | 1053 | 899 | 835 | | |
| 600 | x | 695 | 177 | 155 | 140 | 1218893 | 4063 | 156 | 135 | 30 | M22 x 130 | 930 | 108,0 | 1068 | 917 | 854 | | |
| 620 | x | 715 | 177 | 155 | 140 | 1259522 | 4063 | 151 | 131 | 30 | M22 x 130 | 930 | 112,0 | 1084 | 936 | 874 | | |
| 640 | x | 735 | 177 | 155 | 140 | 1300152 | 4063 | 146 | 128 | 30 | M22 x 130 | 930 | 112,0 | 1101 | 955 | 893 | | |

More sizes on request

Explanation

| | | |
|---|--|---|
| d = Inner diameter | F_{ax} = Transmissible axial force | G_w = Weight |
| D = Outer diameter | p_W = Surface pressure on shaft at given T _A | D_{N min} = Min. hub outer diameter depending of the given hub yield point Rp _{0,2} |
| L = Overall length | p_N = Surface pressure on hub at given T _A | |
| L₁ = Overall length (without screws) | n_{Sc} = Quantity of screws | |
| L₃ = Width of ring | D_G = Thread | |
| T = Transmissible torque at given T _A | T_A = Tightening torque of the clamping screws | |

Ordering example

| Locking Assembly | d | D |
|------------------|-----|-----|
| RfN 7515 | 150 | 200 |

Technical Information

- The values for T, F_{ax}, p_W and p_N apply to Locking Assemblies installed in oiled condition.
- Surface finishes: Shaft bore R_a ≤ 1,6 μm · Hub bore R_a ≤ 3,2 μm
- Tolerances: Shaft: h8 · Hub: H8
- The outside diameter of the hub is calculated with factor C3 = 0.6. (see chapter „Calculation“ in Product Paper & Tech Paper „RINGFEDER® Locking Assemblies“).
- A reduction of the contact pressures and the transmission values by reducing the tightening torque of the screws is possible. Please contact our specialists for assistance.

Further information on RINGFEDER® RfN 7515 on www.ringfeder.com

Disclaimer of liability

All technical details and notes are non-binding and cannot be used as a basis for legal claims. The user is obligated to determine whether the represented products meet his requirements. We reserve the right carry out modifications at any time in the interests of technical progress.